

Single Acting Cylinders Load Return

700 Kg/Cm²

- Heavy duty Jack/Ram/Cylinder for higher loads where retracting need not be spring assisted.
- Collar threads and base mounting holes enable easy fixturing upto 200 tonne jacks.
- Hard chrome plated steel piston rod.
- Stop ring provided on all models. For models above 200 tonne capacity, additional over flow port provided.
- Female half coupler & dust cap provided on all models.
- Swivel saddle with 3°-5° swivel angel available on request for 50 tonne & above hydraulic cylinders.
- Please contact nearest dealer for cylinders with capacities & strokes not mentioned in the data sheets. All variations are possible on request, subject to confirmation from the dealer



CAPACITY 5 TONNE TO 150 TONNE

STROKE 50 MM TO 350 MM

TYPE OF RAM PLAIN

MODEL	Capacity		Effective Area cm ²	VOL cm ³	Dimension in mm														Approx. Weight kg.	SEAL KIT MODEL
	Tonnes	KN			A	B STROKE	C	D	E	F	G	H	J	K	L	M	N	P		
XJ005050	5	50	7	35	121	50	171	45	30	27	M6x1	10	34	107	22	3/8"NPT	M45x2	25	2	XJSK-5
XJ005100				70	171	100	271	45	30	27	M6x1	10	34	107	22	3/8"NPT	M45x2	25	2	
XJ005150				105	240	150	390	45	30	27	M6x1	10	34	107	22	3/8"NPT	M45x2	25	3	
XJ005200				140	310	200	510	45	30	27	M6x1	10	34	107	22	3/8"NPT	M45x2	25	3.5	
XJ005225				175	335	225	560	45	30	27	M6x1	10	34	107	22	3/8"NPT	M45x2	25	4	
XJ010050	10	100	14.5	73	121	50	171	60	43	38	M6x1	10	46	122	22	3/8"NPT	M60x2	25	3	XJSK-10
XJ010100				145	171	100	271	60	43	38	M6x1	10	46	122	22	3/8"NPT	M60x2	25	4	
XJ010150				218	242	150	392	60	43	38	M6x1	10	46	122	22	3/8"NPT	M60x2	25	5	
XJ010200				290	310	200	510	60	43	38	M6x1	10	46	122	22	3/8"NPT	M60x2	25	6	
XJ010250				363	370	250	620	60	43	38	M6x1	10	46	122	22	3/8"NPT	M60x2	25	8	
XJ010300				435	420	300	720	60	43	38	M6x1	10	46	122	22	3/8"NPT	M60x2	25	9	
XJ010350	508	470	350	820	60	43	38	M6x1	10	46	122	22	3/8"NPT	M60x2	25	10				
XJ015050	15	150	21.2	106	160	50	210	70	52	38	M8x1.25	12	54	132	22	3/8"NPT	M70x2	35	4	XJSK-15
XJ015100				212	210	100	310	70	52	38	M8x1.25	12	54	132	22	3/8"NPT	M70x2	35	6	
XJ015150				318	260	150	410	70	52	38	M8x1.25	12	54	132	22	3/8"NPT	M70x2	35	7	
XJ015200				424	325	200	525	70	52	38	M8x1.25	12	54	132	22	3/8"NPT	M70x2	35	9	
XJ015250				530	390	250	640	70	52	38	M8x1.25	12	54	132	22	3/8"NPT	M70x2	35	11	
XJ015300				636	440	300	740	70	52	38	M8x1.25	12	54	132	22	3/8"NPT	M70x2	35	13	
XJ015350				742	490	350	840	70	52	38	M8x1.25	12	54	132	22	3/8"NPT	M70x2	35	14	
XJ020050	20	200	28.2	141	160	50	210	80	60	43	M8x1.25	12	60	142	22	3/8"NPT	M80x2	35	6	XJSK-20
XJ020100				282	210	100	310	80	60	43	M8x1.25	12	60	142	22	3/8"NPT	M80x2	35	7	
XJ020150				423	260	150	410	80	60	43	M8x1.25	12	60	142	22	3/8"NPT	M80x2	35	9	
XJ020200				564	325	200	525	80	60	43	M8x1.25	12	60	142	22	3/8"NPT	M80x2	35	12	
XJ020250				705	390	250	640	80	60	43	M8x1.25	12	60	142	22	3/8"NPT	M80x2	35	15	
XJ020300				846	440	300	740	80	60	43	M8x1.25	12	60	142	22	3/8"NPT	M80x2	35	17	
XJ020350				987	490	350	840	80	60	43	M8x1.25	12	60	142	22	3/8"NPT	M80x2	35	19	
XJ025050	25	250	36.3	182	165	50	215	90	68	53	M8x1.25	12	70	152	22	3/8"NPT	M90x2	35	8	XJSK-25
XJ025100				363	215	100	315	90	68	53	M8x1.25	12	70	152	22	3/8"NPT	M90x2	35	10	
XJ025150				545	265	150	415	90	68	53	M8x1.25	12	70	152	22	3/8"NPT	M90x2	35	12	
XJ025200				726	330	200	530	90	68	53	M8x1.25	12	70	152	22	3/8"NPT	M90x2	35	16	
XJ025250				908	400	250	650	90	68	53	M8x1.25	12	70	152	22	3/8"NPT	M90x2	35	20	
XJ025300				1089	450	300	750	90	68	53	M8x1.25	12	70	152	22	3/8"NPT	M90x2	35	22	
XJ025350				1271	500	350	850	90	68	53	M8x1.25	12	70	152	22	3/8"NPT	M90x2	35	24	

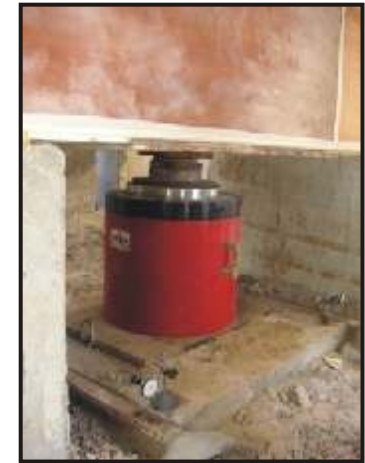
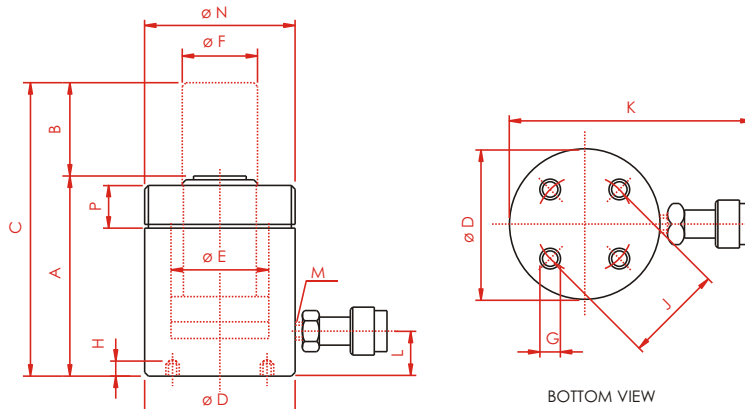
Suitable handle shall be provided with cylinders whose weight is more than 20 kg.

Note : The right to change any specification without notice is reserved because of constant R&D and product upgradation.



Single Acting Cylinders Load Return

700 Kg/Cm²



1500 tonne capacity hydraulic cylinder for Pile Testing

MODEL	Capacity		Effective Area cm ²	VOL cm ³	Dimension in mm															Approx. Weight kg.	SEAL KIT MODEL
	Tonnes	KN			A	B STROKE	C	D	E	F	G	H	J	K	L	M	N	P			
XJ030050	30	300	41.8	209	165	50	215	100	73	60	M8x1.25	12	80	162	22	3/8"NPT	M100x2	35	10	XJSK-30	
XJ030100				418	215	100	315	100	73	60	M8x1.25	12	80	162	22	3/8"NPT	M100x2	35	12		
XJ030150				627	265	150	415	100	73	60	M8x1.25	12	80	162	22	3/8"NPT	M100x2	35	15		
XJ030200				836	330	200	530	100	73	60	M8x1.25	12	80	162	22	3/8"NPT	M100x2	35	20		
XJ030250				1045	400	250	650	100	73	60	M8x1.25	12	80	162	22	3/8"NPT	M100x2	35	24		
XJ030300				1254	450	300	750	100	73	60	M8x1.25	12	80	162	22	3/8"NPT	M100x2	35	27		
XJ030350				1463	500	350	850	100	73	60	M8x1.25	12	80	162	22	3/8"NPT	M100x2	35	30		
XJ050050	50	500	70.8	354	170	50	220	125	95	85	M10x1.5	12	90	187	37	3/8"NPT	M125x2	35	16	XJSK-50	
XJ050100				708	220	100	320	125	95	85	M10x1.5	12	90	187	37	3/8"NPT	M125x2	35	20		
XJ050150				1062	270	150	420	125	95	85	M10x1.5	12	90	187	37	3/8"NPT	M125x2	35	24		
XJ050200				1416	350	200	550	125	95	85	M10x1.5	12	90	187	37	3/8"NPT	M125x2	35	33		
XJ050250				1770	400	250	650	125	95	85	M10x1.5	12	90	187	37	3/8"NPT	M125x2	35	38		
XJ050300				2124	450	300	750	125	95	85	M10x1.5	12	90	187	37	3/8"NPT	M125x2	35	43		
XJ050350				2478	500	350	850	125	95	85	M10x1.5	12	90	187	37	3/8"NPT	M125x2	35	47		
XJ090050	90	900	126.6	633	170	50	220	165	127	98	M12x1.75	14	100	227	37	3/8"NPT	M165x3	35	26	XJSK-90	
XJ090100				1266	220	100	320	165	127	98	M12x1.75	14	100	227	37	3/8"NPT	M165x3	35	33		
XJ090150				1899	270	150	420	165	127	98	M12x1.75	14	100	227	37	3/8"NPT	M165x3	35	39		
XJ090200				2532	350	200	550	165	127	98	M12x1.75	14	100	227	37	3/8"NPT	M165x3	35	52		
XJ090250				3165	400	250	650	165	127	98	M12x1.75	14	100	227	37	3/8"NPT	M165x3	35	60		
XJ090300				3798	450	300	750	165	127	98	M12x1.75	14	100	227	37	3/8"NPT	M165x3	35	65		
XJ090350				4431	500	350	850	165	127	98	M12x1.75	14	100	227	37	3/8"NPT	M165x3	35	72		
XJ100050	100	1000	143.1	716	170	50	220	175	135	106	M16x2	18	110	237	37	3/8"NPT	M175x3	35	30	XJSK-100	
XJ100100				1431	220	100	320	175	135	106	M16x2	18	110	237	37	3/8"NPT	M175x3	35	37		
XJ100150				2147	270	150	420	175	135	106	M16x2	18	110	237	37	3/8"NPT	M175x3	35	45		
XJ100200				2862	350	200	550	175	135	106	M16x2	18	110	237	37	3/8"NPT	M175x3	35	61		
XJ100250				3577	400	250	650	175	135	106	M16x2	18	110	237	37	3/8"NPT	M175x3	35	70		
XJ100300				4293	450	300	750	175	135	106	M16x2	18	110	237	37	3/8"NPT	M175x3	35	76		
XJ100350				5009	500	350	850	175	135	106	M16x2	18	110	237	37	3/8"NPT	M175x3	35	84		
XJ150100	150	1500	213.8	2138	220	100	320	215	165	122	M16x2	18	130	277	37	3/8"NPT	M215x3	35	55	XJSK-150	
XJ150150				3207	270	150	420	215	165	122	M16x2	18	130	277	37	3/8"NPT	M215x3	35	66		
XJ150200				4276	350	200	550	215	165	122	M16x2	18	130	277	37	3/8"NPT	M215x3	35	84		
XJ150250				5345	400	250	650	215	165	122	M16x2	18	130	277	37	3/8"NPT	M215x3	35	95		
XJ150300				6414	450	300	750	215	165	122	M16x2	18	130	277	37	3/8"NPT	M215x3	35	105		

Suitable handle shall be provided with cylinders whose weight is more than 20 kg.

Note : The right to change any specification without notice is reserved because of constant R&D and product upgradation.

