

# Single Acting Cylinders With Lock Nut, Load Return

700 Kg/Cm<sup>2</sup>

- Heavy duty Jack/Ram/Cylinder for higher loads where retracing need not be spring assisted.
- Base mounting holes enable easy fixturing upto 200 tonne jacks.
- Safety lock nut for mechanical load holding
- Hard chrome plated steel piston rod.
- Stop ring provided on all models. For models above 200 tonne capacity additional over flow port provided.
- Female half coupler & dust cap provided on all models.
- Swivel saddle with 3°-5° swivel angle available on request for 50 tonne & above hydraulic cylinders.
- Please contact nearest dealer for cylinders with capacities & strokes not mentioned in the data sheets. All variations are possible on request, subject to confirmation from the dealer



**CAPACITY 5 TONNE TO 100 TONNE**

**STROKE 50 MM TO 350 MM**

**TYPE OF RAM SCREWED**

MODEL	Capacity		Effective Area cm <sup>2</sup>	VOL cm <sup>3</sup>	Dimension in mm													Approx. Weight kg.	SEAL KIT MODEL
	Tonnes	KN			A	B STROKE	C	D	E	F	G	H	J	K	L	M	N		
XG005050	5	50	7	35	141	50	191	45	30	27x4	M6x1	10	34	107	22	3/8"NPT	180	2	XGSK-5
XG005100				70	191	100	291	45	30	27x4	M6x1	10	34	107	22	3/8"NPT	180	2	
XG005150				105	260	150	410	45	30	27x4	M6x1	10	34	107	22	3/8"NPT	180	3.5	
XG005200				140	330	200	530	45	30	27x4	M6x1	10	34	107	22	3/8"NPT	180	4	
XG005225				175	355	225	580	45	30	27x4	M6x1	10	34	107	22	3/8"NPT	180	4.5	
XG010050	10	100	14.5	73	141	50	191	60	43	38x4	M6x1	10	46	122	22	3/8"NPT	193	3	XGSK-10
XG010100				145	191	100	291	60	43	38x4	M6x1	10	46	122	22	3/8"NPT	193	4	
XG010150				218	262	150	412	60	43	38x4	M6x1	10	46	122	22	3/8"NPT	193	5	
XG010200				290	330	200	530	60	43	38x4	M6x1	10	46	122	22	3/8"NPT	193	7	
XG010250				363	390	250	640	60	43	38x4	M6x1	10	46	122	22	3/8"NPT	193	8	
XG010300				435	440	300	740	60	43	38x4	M6x1	10	46	122	22	3/8"NPT	193	9	
XG010350				508	490	350	840	60	43	38x4	M6x1	10	46	122	22	3/8"NPT	193	10	
XG015050	15	150	21.2	106	180	50	230	70	52	38x4	M8x1.25	12	54	132	22	3/8"NPT	203	5	XGSK-15
XG015100				212	230	100	330	70	52	38x4	M8x1.25	12	54	132	22	3/8"NPT	203	7	
XG015150				318	280	150	430	70	52	38x4	M8x1.25	12	54	132	22	3/8"NPT	203	8	
XG015200				424	345	200	545	70	52	38x4	M8x1.25	12	54	132	22	3/8"NPT	203	10	
XG015250				530	410	250	660	70	52	38x4	M8x1.25	12	54	132	22	3/8"NPT	203	12	
XG015300				636	460	300	760	70	52	38x4	M8x1.25	12	54	132	22	3/8"NPT	203	14	
XG015350				742	510	350	860	70	52	38x4	M8x1.25	12	54	132	22	3/8"NPT	203	15	
XG020050	20	200	28.2	141	180	50	230	80	60	43x4	M8x1.25	12	60	142	22	3/8"NPT	209	7	XGSK-20
XG020100				282	230	100	330	80	60	43x4	M8x1.25	12	60	142	22	3/8"NPT	209	8	
XG020150				423	280	150	430	80	60	43x4	M8x1.25	12	60	142	22	3/8"NPT	209	9	
XG020200				564	345	200	545	80	60	43x4	M8x1.25	12	60	142	22	3/8"NPT	209	13	
XG020250				705	410	250	660	80	60	43x4	M8x1.25	12	60	142	22	3/8"NPT	209	16	
XG020300				846	460	300	760	80	60	43x4	M8x1.25	12	60	142	22	3/8"NPT	209	18	
XG020350				987	510	350	860	80	60	43x4	M8x1.25	12	60	142	22	3/8"NPT	209	20	
XG025050	25	250	36.3	182	190	50	240	90	68	53x6	M8x1.25	12	70	152	22	3/8"NPT	219	9	XGS K-25
XG025100				363	240	100	340	90	68	53x6	M8x1.25	12	70	152	22	3/8"NPT	219	11	
XG025150				545	290	150	440	90	68	53x6	M8x1.25	12	70	152	22	3/8"NPT	219	13	
XG025200				726	355	200	555	90	68	53x6	M8x1.25	12	70	152	22	3/8"NPT	219	17	
XG025250				908	425	250	675	90	68	53x6	M8x1.25	12	70	152	22	3/8"NPT	219	21	
XG025300				1089	475	300	775	90	68	53x6	M8x1.25	12	70	152	22	3/8"NPT	219	23	
XG025350				1271	525	350	875	90	68	53x6	M8x1.25	12	70	152	22	3/8"NPT	219	26	

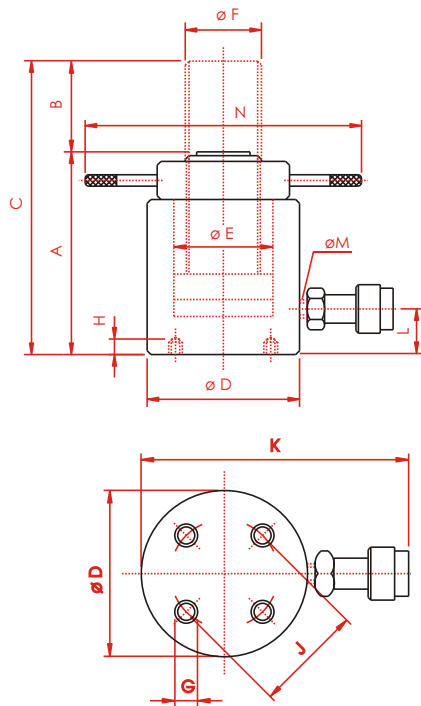
Suitable handle shall be provided with cylinders whose weight is more than 20 kg.

Note : The right to change any specification without notice is reserved because of constant R&D and product upgradation.



# Single Acting Cylinders With Lock Nut, Load Return

700 Kg/Cm<sup>2</sup>



BOTTOM VIEW



Single acting lock nut, load return cylinders used to support roof in a Tunnel Building project

MODEL	Capacity		Effective Area cm <sup>2</sup>	VOL cm <sup>3</sup>	Dimension in mm													Approx. Weight kg.	SEAL KIT MODEL
	Tonnes	KN			A	B STROKE	C	D	E	F	G	H	J	K	L	M	N		
XG030050	30	300	41.8	209	190	50	240	100	73	60x6	M8x1.25	12	80	162	22	3/8"NPT	225	11	XGSK-30
XG030100				418	240	100	340	100	73	60x6	M8x1.25	12	80	162	22	3/8"NPT	225	14	
XG030150				627	290	150	440	100	73	60x6	M8x1.25	12	80	162	22	3/8"NPT	225	16	
XG030200				836	355	200	555	100	73	60x6	M8x1.25	12	80	162	22	3/8"NPT	225	21	
XG030250				1045	425	250	675	100	73	60x6	M8x1.25	12	80	162	22	3/8"NPT	225	26	
XG030300				1254	475	300	775	100	73	60x6	M8x1.25	12	80	162	22	3/8"NPT	225	29	
XG030350				1463	525	350	875	100	73	60x6	M8x1.25	12	80	162	22	3/8"NPT	225	32	
XG050050	50	500	70.8	354	206	50	256	125	95	85x6	M10x1.5	12	90	187	37	3/8"NPT	246	19	XGSK-50
XG050100				708	256	100	356	125	95	85x6	M10x1.5	12	90	187	37	3/8"NPT	246	24	
XG050150				1062	306	150	456	125	95	85x6	M10x1.5	12	90	187	37	3/8"NPT	246	28	
XG050200				1416	386	200	586	125	95	85x6	M10x1.5	12	90	187	37	3/8"NPT	246	36	
XG050250				1770	436	250	686	125	95	85x6	M10x1.5	12	90	187	37	3/8"NPT	246	40	
XG050300				2124	486	300	786	125	95	85x6	M10x1.5	12	90	187	37	3/8"NPT	246	45	
XG050350				2478	536	350	886	125	95	85x6	M10x1.5	12	90	187	37	3/8"NPT	246	50	
XG090050	90	900	126.6	633	215	50	265	165	127	98x6	M12x1.75	14	100	227	37	3/8"NPT	320	36	XGSK-90
XG090100				1266	265	100	365	165	127	98x6	M12x1.75	14	100	227	37	3/8"NPT	320	43	
XG090150				1899	315	150	465	165	127	98x6	M12x1.75	14	100	227	37	3/8"NPT	320	47	
XG090200				2532	395	200	595	165	127	98x6	M12x1.75	14	100	227	37	3/8"NPT	320	60	
XG090250				3165	445	250	695	165	127	98x6	M12x1.75	14	100	227	37	3/8"NPT	320	68	
XG090300				3798	495	300	795	165	127	98x6	M12x1.75	14	100	227	37	3/8"NPT	320	72	
XG090350				4431	545	350	895	165	127	98x6	M12x1.75	14	100	227	37	3/8"NPT	320	80	
XG100050	100	1000	143.1	716	215	50	265	175	135	106x6	M16x2	18	110	237	37	3/8"NPT	330	38	XGSK-100
XG100100				1431	265	100	365	175	135	106x6	M16x2	18	110	237	37	3/8"NPT	330	46	
XG100150				2147	315	150	465	175	135	106x6	M16x2	18	110	237	37	3/8"NPT	330	53	
XG100200				2862	395	200	595	175	135	106x6	M16x2	18	110	237	37	3/8"NPT	330	68	
XG100250				3577	445	250	695	175	135	106x6	M16x2	18	110	237	37	3/8"NPT	330	78	
XG100300				4293	495	300	795	175	135	106x6	M16x2	18	110	237	37	3/8"NPT	330	84	
XG100350				5009	545	350	895	175	135	106x6	M16x2	18	110	237	37	3/8"NPT	330	92	

Suitable handle shall be provided with cylinders whose weight is more than 20 kg.

Note : The right to change any specification without notice is reserved because of constant R&D and product upgradation.

