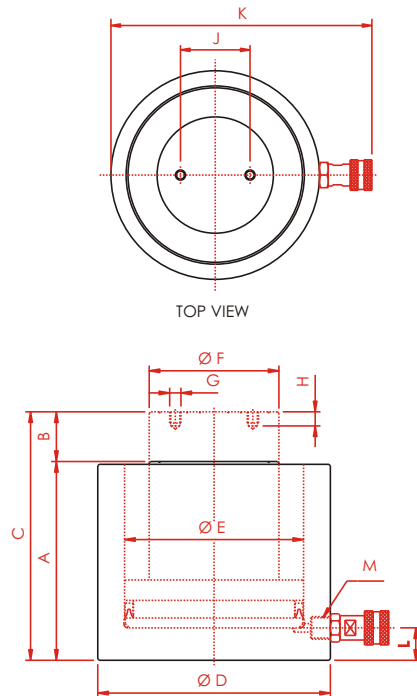


Single Acting Low Height Cylinders Spring Return

700 Kg/Cm²



CAPACITY 10 TONNE TO 90 TONNE

STROKE 38 MM TO 62 MM

TYPE OF RAM PLAIN

- Light weight, low profile design for use in confined spaces.
- Hard chrome plated steel piston rod.
- Female half coupler & dust cap provided on all models.
- Stop ring provided on all models.
- Please contact nearest dealer for cylinders with capacities & strokes not mentioned in the data sheets. IIA variations are possible on request, subject to confirmation from the dealer

MODEL	Capacity		Effective Area cm ²	VOL cm ³	Dimension in mm												Approx. Weight kg.	SEAL KIT MODEL
	Tonnes	KN			A	B STROKE	C	D	E	F	G	H	J	K	L	M		
XKS010	10	100	14.5	55.2	88	38	126	69	43	38	M4	8	26	134	19	3/8"NPT	4	XKSSK-10
XKS020	20	200	28.2	127.2	98	45	143	92	60	50	M5	8	39	156	19	3/8"NPT	5	XKSSK-20
XKS030	30	300	41.8	259.4	117	62	179	101	73	66	M5	8	39	165	19	3/8"NPT	7	XKSSK-30
XKS050	45	445	63.6	381.6	122	60	182	127	90	70	M5	8	39	189	19	3/8"NPT	11	XKSSK-50
XKS100	90	888	126.6	722	141	57	198	165	127	92	M8	10	55	227	23	3/8"NPT	23	XKSSK-100



Only the extreme low height XKS series cylinders fit in this Confined Area to lift the Construction.

Suitable handle shall be provided with cylinders whose weight is more than 20 kg.

Note : The right to change any specification without notice is reserved because of constant R&D and product upgradation.

