

Single Acting Heavy Lifting Solution, With Reduced Collapsed Height, Load Return Cylinders

700 Kg/Cm²

- Lowest closed height for use in confined spaces.
- Over flow port functions as a stroke limiter .
- Female half coupler & dust cap provided on all models.
- Swivel saddle with 3°-5° swivel angel available on request.
- Please contact nearest dealer for cylinders with capacities & strokes not mentioned in the data sheets. All variations are possible on request, subject to confirmation from the dealer



CAPACITY 50 TONNE TO 1000 TONNE

STROKE 50 MM TO 300 MM

TYPE OF RAM PLAIN

MODEL	Capacity		Effective Area cm ²	VOL cm ³	Dimension in mm									Approx Weight kg.	SEAL KIT MODEL
	Tonnes	KN			A	B STROKE	C	D	E	F	K	L	M		
XJS050050	50	500	70.8	355	130	50	180	125	95	95	187	30	3/8"NPT	14	XJSSK-50
XJS050100				709	180	100	280	125	95	95	187	30	3/8"NPT	18	
XJS050150				1064	230	150	380	125	95	95	187	30	3/8"NPT	23	
XJS050200				1418	280	200	480	125	95	95	187	30	3/8"NPT	28	
XJS050250				1773	330	250	580	125	95	95	187	30	3/8"NPT	33	
XJS050300				2127	380	300	680	125	95	95	187	30	3/8"NPT	38	
XJS100050	100	1000	143.1	716	143	50	193	175	135	135	237	30	3/8"NPT	26	XJSSK-50
XJS100100				1431	193	100	293	175	135	135	237	30	3/8"NPT	36	
XJS100150				2147	243	150	393	175	135	135	237	30	3/8"NPT	45	
XJS100200				2863	293	200	493	175	135	135	237	30	3/8"NPT	55	
XJS100250				3578	343	250	593	175	135	135	237	30	3/8"NPT	64	
XJS100300				4294	393	300	693	175	135	135	237	30	3/8"NPT	74	
XJS150050	150	1500	213.8	1069	165	50	215	215	165	165	277	39	3/8"NPT	47	XJSSK-50
XJS150100				2138	215	100	315	215	165	165	277	39	3/8"NPT	61	
XJS150150				3207	265	150	415	215	165	165	277	39	3/8"NPT	75	
XJS150200				4276	315	200	515	215	165	165	277	39	3/8"NPT	89	
XJS150250				5345	365	250	615	215	165	165	277	39	3/8"NPT	104	
XJS150300				6414	415	300	715	215	165	165	277	39	3/8"NPT	118	

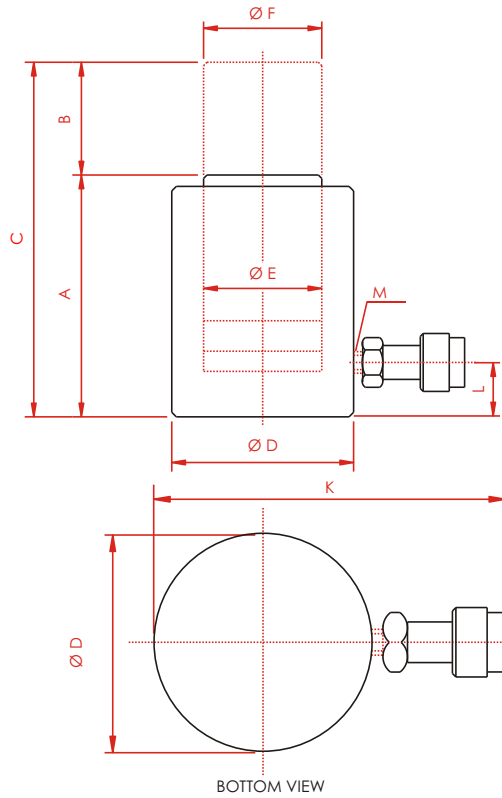
Suitable handle shall be provided with cylinders whose weight is more than 20 kg.

Note : The right to change any specification without notice is reserved because of constant R&D and product upgradation.



Single Acting Heavy Lifting Solution With Reduced Collapsed Height, Load Return Cylinders

700 Kg/Cm²



Supporting a roof during Renovation.

MODEL	Capacity		Effective Area cm ²	VOL cm ³	Dimension in mm									Approx Weight kg.	SEAL KIT MODEL
	Tonnes	KN			A	B STROKE	C	D	E	F	K	L	M		
XJS200050	200	2000	283.5	1418	193	50	243	250	190	190	312	50	3/8"NPT	74	XJSSK-200
XJS200150				4253	293	150	443	250	190	190	312	50	3/8"NPT	112	
XJS200300				8505	443	300	743	250	190	190	312	50	3/8"NPT	170	
XJS250050	250	2500	363.2	1816	193	50	243	330	215	215	392	50	3/8"NPT	129	XJSSK-250
XJS250150				5448	293	150	443	330	215	215	392	50	3/8"NPT	196	
XJS250300				10896	443	300	743	330	215	215	392	50	3/8"NPT	297	
XJS300050	300	3000	433.7	2169	235	50	285	360	235	235	422	59	3/8"NPT	187	XJSSK-300
XJS300150				6506	335	150	485	360	235	235	422	59	3/8"NPT	267	
XJS300300				13012	485	300	785	360	235	235	422	59	3/8"NPT	387	
XJS400050	400	4000	572.5	2863	265	50	315	410	270	270	472	70	3/8"NPT	275	XJSSK-400
XJS400150				8588	365	150	515	410	270	270	472	70	3/8"NPT	378	
XJS400300				17175	515	300	815	410	270	270	472	70	3/8"NPT	534	
XJS500050	500	5000	706.8	3534	295	50	345	450	300	300	512	80	3/8"NPT	368	XJSSK-500
XJS500150				10602	395	150	545	450	300	300	512	80	3/8"NPT	493	
XJS500300				21204	545	300	845	450	300	300	512	80	3/8"NPT	681	
XJS600050	600	6000	908	4540	310	50	360	505	340	340	567	85	3/8"NPT	487	XJSSK-600
XJS600150				13620	410	150	560	505	340	340	567	85	3/8"NPT	645	
XJS600300				27240	560	300	860	505	340	340	567	85	3/8"NPT	881	
XJS750050	750	7500	1075.2	5376	355	50	405	565	370	370	627	100	3/8"NPT	699	XJSSK-750
XJS750150				16128	455	150	605	565	370	370	627	100	3/8"NPT	896	
XJS750300				32256	605	300	905	565	370	370	627	100	3/8"NPT	1191	
XJS999050	1000	10000	1386.4	6932	385	50	435	620	420	420	682	110	3/8"NPT	913	XJSSK-1000
XJS999150				20796	485	150	635	620	420	420	682	110	3/8"NPT	1150	
XJS999300				41592	635	300	935	620	420	420	682	110	3/8"NPT	1505	

Suitable handle shall be provided with cylinders whose weight is more than 20 kg.

Note : The right to change any specification without notice is reserved because of constant R&D and product upgradation.

