

# Double Acting Cylinders

700 Kg/Cm<sup>2</sup>

- Heavy duty oil return Jacks/ Rams/ Cylinders for quick retracing, horizontal, vertical and inverted operations. Suitable loads may be attached to the piston rod as well, if required. Double acting cylinders are designed to operate in both pushing and pulling directions under pressure.
- Collar threads and base mounting holes enable easy fixturing.
- Hard chrome plated steel piston rod.
- Safety valve in retract side of cylinder helps to prevent damage in case of accidental over-pressurization.
- Female half coupler & dust cap provided on all models.
- Swivel saddle with 3°-5° swivel angle available on request for 50 tonne & above hydraulic cylinders.
- Please contact nearest dealer for cylinders with capacities & strokes not mentioned in the data sheets. All variations are possible on request, subject to confirmation from the dealer



**CAPACITY 5 TONNE TO 2000 TONNE**

**STROKE 50 MM TO 300 MM**

**TYPE OF RAM PLAIN**

MODEL	Capacity		Effective Area	VOL	Dimension in mm																Approx. Weight kg.	SEAL KIT MODEL	
	Tonnes	KN			cm <sup>2</sup>	cm <sup>3</sup>	A	B STROKE	C	D	E	F	G	H	J	K	L	M	N	P			T
XP0050 75	5	50	7	52.7	185	75	260	45	30	18	M6	10	34	107	20	3/8"NPT	45X2	25	M16	16	40	2	XPSK-5
XP0051 50				105	260	150	410	45	30	18	M6	10	34	107	20	3/8"NPT	45X2	25	M16	16	40	3	
XP0100 50	10	100	14.5	72.5	175	50	225	70	43	30	M6	10	46	132	23	3/8"NPT	70X2	25	M27	30	53	5	XPSK-10
XP0100 75				108.7	200	75	275	70	43	30	M6	10	46	132	23	3/8"NPT	70X2	25	M27	30	53	6	
XP0101 00				145	225	100	325	70	43	30	M6	10	46	132	23	3/8"NPT	70X2	25	M27	30	53	7	
XP0101 50				217.5	275	150	425	70	43	30	M6	10	46	132	23	3/8"NPT	70X2	25	M27	30	53	9	
XP0102 00				290	325	200	525	70	43	30	M6	10	46	132	23	3/8"NPT	70X2	25	M27	30	53	10	
XP0102 50				362	375	250	625	70	43	30	M6	10	46	132	23	3/8"NPT	70X2	25	M27	30	53	11	
XP0103 00				435	425	300	725	70	43	30	M6	10	46	132	23	3/8"NPT	70X2	25	M27	30	53	12	
XP0200 50	20	200	28.2	141	180	50	230	90	60	40	M8	12	60	142	23	3/8"NPT	90X2	35	M36	35	53	8	XPSK-20
XP0200 75				211.5	205	75	280	90	60	40	M8	12	60	142	23	3/8"NPT	90X2	35	M36	35	53	9	
XP0201 00				282	230	100	330	90	60	40	M8	12	60	142	23	3/8"NPT	90X2	35	M36	35	53	11	
XP0201 50				423	280	150	430	90	60	40	M8	12	60	142	23	3/8"NPT	90X2	35	M36	35	53	12	
XP0202 00				564	330	200	530	90	60	40	M8	12	60	142	23	3/8"NPT	90X2	35	M36	35	53	14	
XP0202 50				705	395	250	645	90	60	40	M8	12	60	142	23	3/8"NPT	90X2	35	M36	35	53	17	
XP0203 00				846	450	300	750	90	60	40	M8	12	60	142	23	3/8"NPT	90X2	35	M36	35	53	22	
XP0300 50	30	300	41.8	209	200	50	250	100	73	48	M8	12	80	162	27	3/8"NPT	100X2	49	M42	42	57	12	XPSK-30
XP0300 75				313.5	225	75	300	100	73	48	M8	12	80	162	27	3/8"NPT	100X2	49	M42	42	57	13	
XP0301 00				419	250	100	350	100	73	48	M8	12	80	162	27	3/8"NPT	100X2	49	M42	42	57	14	
XP0301 50				628	300	150	450	100	73	48	M8	12	80	162	27	3/8"NPT	100X2	49	M42	42	57	16	
XP0302 00				837	350	200	550	100	73	48	M8	12	80	162	27	3/8"NPT	100X2	49	M42	42	57	18	
XP0302 50				1046	415	250	665	100	73	48	M8	12	80	162	27	3/8"NPT	100X2	49	M42	42	57	21	
XP0303 00				1256	465	300	765	100	73	48	M8	12	80	162	27	3/8"NPT	100X2	49	M42	42	57	27	
XP0500 50	50	500	70.8	354	215	50	265	125	95	70	M10	12	90	187	28	3/8"NPT	125X2	50	M60	50	68	20	XPSK-50
XP0500 75				531	240	75	315	125	95	70	M10	12	90	187	28	3/8"NPT	125X2	50	M60	50	68	21	
XP0501 00				708	265	100	365	125	95	70	M10	12	90	187	28	3/8"NPT	125X2	50	M60	50	68	23	
XP0501 50				1062	315	150	465	125	95	70	M10	12	90	187	28	3/8"NPT	125X2	50	M60	50	68	26	
XP0502 00				1416	365	200	565	125	95	70	M10	12	90	187	28	3/8"NPT	125X2	50	M60	50	68	30	
XP0502 50				1770	430	250	680	125	95	70	M10	12	90	187	28	3/8"NPT	125X2	50	M60	50	77	35	
XP0503 00				2124	480	300	780	125	95	70	M10	12	90	187	28	3/8"NPT	125X2	50	M60	50	77	39	
XP0505 00				3540	730	500	1230	125	95	70	M10	12	90	187	28	3/8"NPT	125X2	50	M60	50	95	65	

KINDLY CONSULT OEM FOR PULLING LOAD APPLICATION.

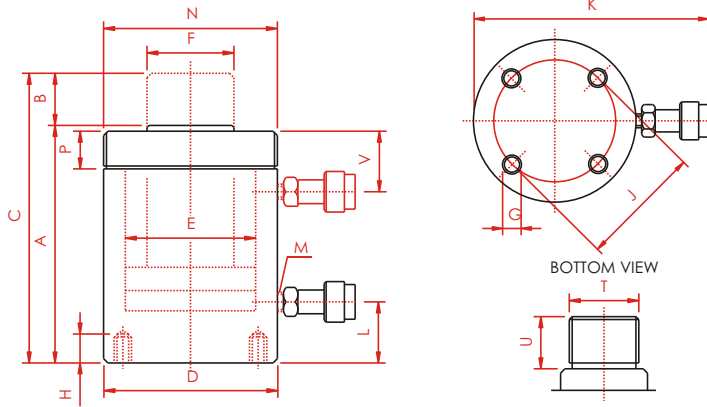
Suitable handle shall be provided with cylinders whose weight is more than 20 kg.

Note : The right to change any specification without notice is reserved because of constant R&D and product upgradation.



# Double Acting Cylinders

700 Kg/Cm<sup>2</sup>



Double acting cylinder used for Bridge Lifting / Modification

OPTIONAL

MODEL	Capacity		Effective Area	VOL	Dimension in mm																	Approx. Weight kg.	SEAL KIT MODE L	
	Tonnes	KN			cm <sup>2</sup>	cm <sup>3</sup>	A	B STROKE	C	D	E	F	G	H	J	K	L	M	N	P	T			U
XP100050	100	1000	143.1	716	245	50	295	175	135	105	M16	18	110	237	38	3/8"NPT	175X3	51	M90	60	83	46	XPSK-100	
XP100075				1072.5	270	75	345	175	135	105	M16	18	110	237	38	3/8"NPT	175X3	51	M90	60	83	48		
XP100100				1431	295	100	395	175	135	105	M16	18	110	237	38	3/8"NPT	175X3	51	M90	60	83	54		
XP100150				2147	345	150	495	175	135	105	M16	18	110	237	38	3/8"NPT	175X3	51	M90	60	83	62		
XP100200				2862	395	200	595	175	135	105	M16	18	110	237	38	3/8"NPT	175X3	51	M90	60	83	66		
XP100250				3578	455	250	705	175	135	105	M16	18	110	237	38	3/8"NPT	175X3	51	M90	60	88	75		
XP100300	4294	505	300	805	175	135	105	M16	18	110	237	38	3/8"NPT	175X3	51	M90	60	88	83					
XP150050	150	1500	213.8	1069	265	50	315	215	165	125	M16	18	130	277	40	3/8"NPT	215X3	56	M110	70	88	73	XPSK-150	
XP150075				1603	290	75	365	215	165	125	M16	18	130	277	40	3/8"NPT	215X3	56	M110	70	88	78		
XP150100				2138	315	100	415	215	165	125	M16	18	130	277	40	3/8"NPT	215X3	56	M110	70	88	87		
XP150150				3207	365	150	515	215	165	125	M16	18	130	277	40	3/8"NPT	215X3	56	M110	70	88	94		
XP150200				4276	415	200	615	215	165	125	M16	18	130	277	40	3/8"NPT	215X3	56	M110	70	88	104		
XP150250				5345	480	250	730	215	165	125	M16	18	130	277	40	3/8"NPT	215X3	56	M110	70	98	119		
XP150300	6414	530	300	830	215	165	125	M16	18	130	277	40	3/8"NPT	215X3	56	M110	70	98	130					
XP200050	200	2000	283.5	1418	328	50	378	250	190	145	M16	18	150	312	51	3/8"NPT	250X3	60	M110	70	125	115	XPSK-200	
XP200150				4251	428	150	578	250	190	145	M16	18	150	312	51	3/8"NPT	250X3	60	M110	70	125	178		
XP200300				8499	578	300	878	250	190	145	M16	18	150	312	51	3/8"NPT	250X3	60	M110	70	125	210		
XP250050	250	2500	363	1815	400	50	450	330	215	160	M16	18	175	392	63	3/8"NPT	...	...	M120	70	125	250	XPSK-250	
XP250150				5445	500	150	650	330	215	160	M16	18	175	392	63	3/8"NPT	...	...	M120	70	125	320		
XP250300				10890	650	300	950	330	215	160	M16	18	175	392	63	3/8"NPT	...	...	M120	70	125	420		
XP300050	300	3000	433.7	2168	435	50	485	360	235	185	M16	18	190	422	75	3/8"NPT	...	...	M150	80	126	340	XPSK-300	
XP300150				6503	535	150	685	360	235	185	M16	18	190	422	75	3/8"NPT	...	...	M150	80	126	407		
XP300300				13005	685	300	985	360	235	185	M16	18	190	422	75	3/8"NPT	...	...	M150	80	126	526		
XP400050	400	4000	572.2	2861	500	50	550	410	270	205	M20	20	210	472	100	3/8"NPT	...	...	M175	90	144	340	XPSK-400	
XP400150				8583	600	150	750	410	270	205	M20	20	210	472	100	3/8"NPT	...	...	M175	90	144	593		
XP400300				17166	750	300	1050	410	270	205	M20	20	210	472	100	3/8"NPT	...	...	M175	90	144	743		
XP500050	500	5000	706.8	3535	530	50	580	450	300	230	M20	20	250	512	115	3/8"NPT	...	...	M200	100	153	680	XPSK-500	
XP500150				10605	630	150	780	450	300	230	M20	20	250	512	115	3/8"NPT	...	...	M200	100	153	791		
XP500300				21210	780	300	1080	450	300	230	M20	20	250	512	115	3/8"NPT	...	...	M200	100	153	982		
XP600050	600	6000	908.2	4540	550	50	600	505	340	255	...	...	...	567	115	3/8"NPT	...	...	...	...	165	850	XPSK-600	
XP600150				13620	650	150	800	505	340	255	...	...	...	567	115	3/8"NPT	...	...	...	...	...	165		1005
XP600300				27240	800	300	1100	505	340	255	...	...	...	567	115	3/8"NPT	...	...	...	...	...	165		1210
XP750050	750	7500	1075.2	5376	580	50	630	565	370	270	...	...	...	627	125	3/8"NPT	...	...	...	...	175	1170	XPSK-750	
XP750150				16128	680	150	830	565	370	270	...	...	...	627	125	3/8"NPT	...	...	...	...	...	175		1250
XP750300				32256	830	300	1130	565	370	270	...	...	...	627	125	3/8"NPT	...	...	...	...	...	175		1540
XP999050	1000	10000	1386.4	6932	600	50	650	620	420	310	...	...	...	682	135	3/8"NPT	...	...	...	...	190	1397	XPSK-1000	
XP999150				20796	700	150	850	620	420	310	...	...	...	682	135	3/8"NPT	...	...	...	...	...	190		1585
XP999300				41592	850	300	1150	620	420	310	...	...	...	682	135	3/8"NPT	...	...	...	...	...	190		1866
XP1500050	1500	15000	2206	11030	750	50	800	775	530	440	...	...	...	837	180	3/8"NPT	...	...	...	...	175	2725	XPSK-1500	
XP1500150				33090	850	150	1000	775	530	440	...	...	...	837	180	3/8"NPT	...	...	...	...	...	175		3075
XP1500300				66180	1000	300	1300	775	530	440	...	...	...	837	180	3/8"NPT	...	...	...	...	...	175		3638
XP2000050	2000	20000	2827.5	14137.5	900	50	950	900	600	480	...	...	...	962	185	3/8"NPT	...	...	...	...	190	4410	XPSK-2000	
XP2000150				42412	1000	150	1150	900	600	480	...	...	...	962	185	3/8"NPT	...	...	...	...	...	190		5680
XP2000300				84824	1150	300	1450	900	600	480	...	...	...	962	185	3/8"NPT	...	...	...	...	...	190		7130

KINDLY CONSULT OEW FOR PULLING LOAD APPLICATION.

Suitable handle shall be provided with cylinders whose weight is more than 20 kg.

Note : The right to change any specification without notice is reserved because of constant R&D and product upgradation.

