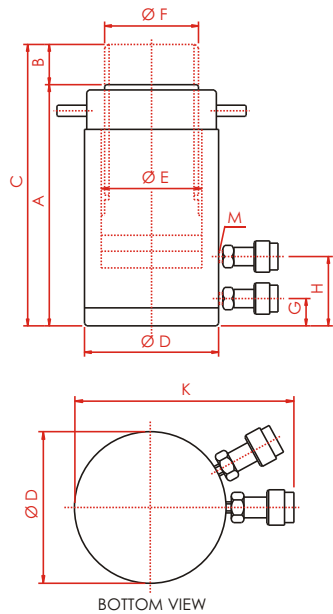


Double Acting Screwed Ram Lock Nut Cylinders

700 Kg/Cm²



CAPACITY 50 TONNE TO 1000 TONNE

STROKE 150 MM TO 300 MM

TYPE OF RAM THREADED

- Heavy duty Jack / Ram / Cylinder for higher loads.
- These cylinder are oil return. They are suitable for quick retracting.
- Hard chrome plated steel piston rod.
- Safety lock nut for mechanical load holding
- Stop ring provided on all models. For models above 200 tonne capacity, additional over flow port provided.

- Female half coupler & dust cap provided on all models.
- Swivel saddle with 3°-5° swivel angle available on request.
- Please contact nearest dealer for cylinders with capacities & strokes not mentioned in the data sheets. All variations are possible on request, subject to confirmation from the dealer

MODEL	Capacity		Effective Area cm ²	VOL cm ³	Dimension in mm										Approx. Weight kg.	SEAL KIT MODEL
	Tonnes	KN			A	B STROKE	C	D	E	F	G	H	K	M		
XPS050 150	50	500	71.5	1073	335	150	485	135	100	90x6	38	58	197	3/8"NPT	36	XPSSK-50
XPS050 250				1788	435	250	685								47	
XPS050 300				2145	485	300	785								52	
XPS100 150	100	1000	145	2175	360	150	510	200	150	140x6	48	68	262	3/8"NPT	87	XPSSK-100
XPS100 250				3625	460	250	710								112	
XPS100 300				4350	510	300	810								123	
XPS150 150	150	1500	216	3240	405	150	555	240	180	170x6	50	75	302	3/8"NPT	142	XPSSK-150
XPS150 250				5400	505	250	755								177	
XPS150 300				6480	555	300	855								195	
XPS200 150	200	2000	284.5	4268	420	150	570	285	215	205x6	55	78	347	3/8"NPT	208	XPSSK-200
XPS200 250				7113	520	250	770								258	
XPS200 300				8535	570	300	870								282	
XPS300 150	300	3000	428.3	6425	495	150	645	400	260	250x8	80	123	462	3/8"NPT	485	XPSSK-300
XPS300 250				10708	595	250	845								585	
XPS300 300				12849	645	300	945								635	
XPS400 150	400	4000	584	8760	525	150	675	450	300	290x8	90	140	512	3/8"NPT	650	XPSSK-400
XPS400 250				14600	625	250	875								775	
XPS400 300				17520	675	300	975								830	
XPS500 150	500	5000	712	10680	550	150	700	500	330	320x8	95	150	562	3/8"NPT	840	XPSSK-500
XPS500 250				17800	650	250	900								990	
XPS500 300				21360	700	300	1000								1070	
XPS750 150	750	7500	1091.5	16373	675	150	825	600	400	390x12	100	175	662	3/8"NPT	1490	XPSSK-750
XPS750 250				27288	775	250	1025								1710	
XPS750 300				32745	825	300	1125								1820	
XPS999 150	1000	10000	1425.3	21380	750	150	900	700	450	440x12	120	195	762	3/8"NPT	2260	XPSSK-1000
XPS999 250				35633	850	250	1100								2560	
XPS999 300				42759	900	300	1200								2710	

Suitable handle shall be provided with cylinders whose weight is more than 20 kg.

Note : The right to change any specification without notice is reserved because of constant R&D and product upgradation.

