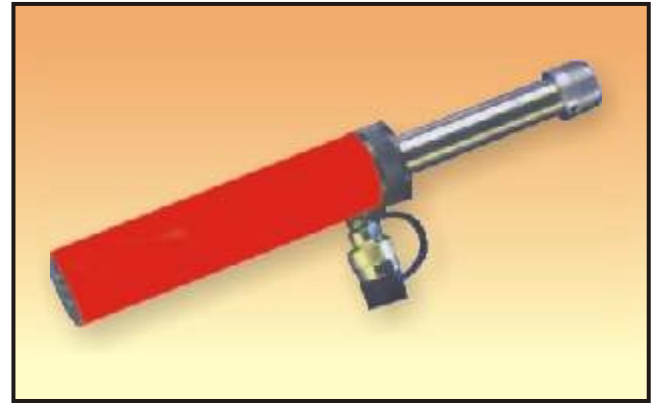
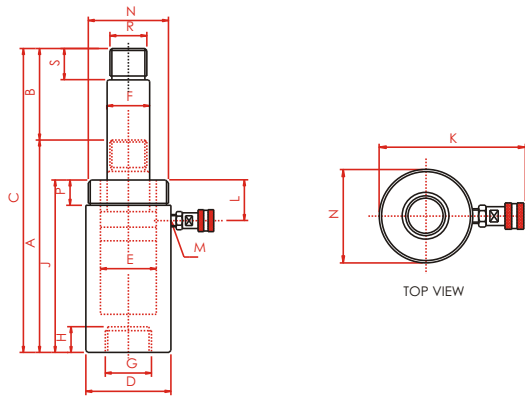


Single Acting Pull Cylinders Spring Return

700 Kg/Cm²



- The piston rod remains in an extended mode with spring assistance. On applying pressure, the piston rod pulls into the cylinder.
- Hard chrome plated steel piston rod.
- Female half coupler & dust cap provided on all models.
- Please contact nearest dealer for cylinders with capacities & strokes not mentioned in the data sheets. All variations are possible on request, subject to confirmation from the dealer

CAPACITY 5 TONNE TO 10 TONNE

STROKE 140 MM TO 250 MM

TYPE OF RAM PLAIN

MODEL	Capacity		Effective Area cm ²	VOL cm ³	Dimension in mm															Approx. Weight kg.	SEAL KIT MODEL	
	Tonnes	KN			A	B STROKE	C	D	E	F	G	H	J	K	L	M	N	P	R			S
XR005140	5	50	7.5	105	357	140	497	67	43	30	30x2	15	325	129	36	3/8"NPT	57x2	15	30x2	26	6	XRSK-5
XR010150	10	100	15.7	236	377	150	527	80	55	35	40x2	25	345	142	37	3/8"NPT	75x2	15	35x2	26	11	XRSK-10
XR010250				393	558	250	808	80	55	35	40x2	25	526	142	37	3/8"NPT	75x2	15	35x2	26	16	

Suitable handle shall be provided with cylinders whose weight is more than 20 kg.

Note : The right to change any specification without notice is reserved because of constant R&D and product upgradation.

