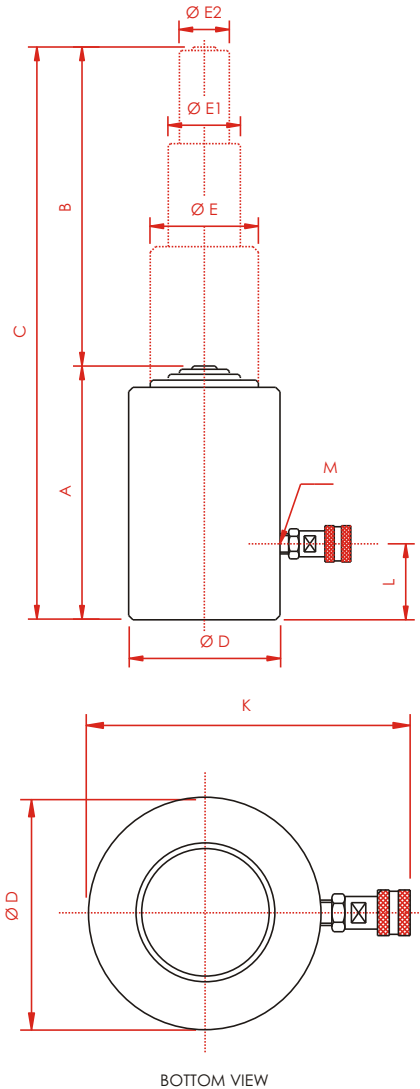


Telescopic Cylinders Single Acting Load Return

700 Kg/Cm²



CAPACITY 10 TONNE TO 30 TONNE

STROKE 270 MM TO 600 MM

TYPE OF RAM PLAIN

- Multi stage cylinders meant for large strokes in restricted closed heights. Also available (on request) a> double acting models b> larger no. of stages.
- Hard chrome plated steel piston rod.
- Female half coupler & dust cap provided on all models.
- Please contact nearest dealer for cylinders with capacities & strokes not mentioned in the data sheets. All variations are possible on request, subject to confirmation from the dealer.

MODEL	Capacity		Effective Area cm ²	VOL cm ³	Dimension in mm									Approx. Weight kg.	SEAL KIT MODEL	
	Tonnes	KN			A	B STROKE	C	D	E	E1	E2	K	L			M
N2 010270	10	100	14.5	686	250	270	520	90	60	33	-	152	45	3/8"NPT	11	N2SK-10
N3 010430				1730	278	430	708	115	90	60	33	177	40	3/8"NPT	25	N3SK-10
N2 015300	15	150	21.2	1072	278	300	578	105	70	43	-	167	48	3/8"NPT	17	N2SK-15
N3 015500				2480	310	500	810	140	98	70	43	202	43	3/8"NPT	35	N3SK-15
N2 030300	30	300	41.8	1926	280	300	580	140	98	60	-	202	48	3/8"NPT	31	N2SK-30
N3 030600				5923	335	600	935	200	140	98	60	262	48	3/8"NPT	75	N3SK-30

Suitable handle shall be provided with cylinders whose weight is more than 20 kg.

Note : The right to change any specification without notice is reserved because of constant R&D and product upgradation.

