

# Single Acting General Purpose Cylinders Spring Return

700 Kg/Cm<sup>2</sup>

- Heavy duty general purpose versatile Jack / Ram / Cylinder. Collar threads and base mounting holes enable easy fixturing in all models.
- The springs are not designed to retrace the piston rod in horizontal position or with any external load.
- Hard chrome plated steel piston rod.
- Stop ring provided on all models.
- Female half coupler & dust cap provided on all models.
- Please contact nearest dealer for cylinders with capacities & strokes not mentioned in the data sheets. All variations are possible on request, subject to confirmation from the dealer



**CAPACITY 5 TONNE TO 200 TONNE**

**STROKE 50 MM TO 250 MM**

**TYPE OF RAM PLAIN**

MODEL	Capacity		Effective Area cm <sup>2</sup>	VOL cm <sup>3</sup>	Dimension in mm														Approx. Weight kg.	SEAL KIT MODEL
	Tonnes	KN			A	B STROKE	C	D	E	F	G	H	J	K	L	M	N	P		
XK0050 50	05	50	7.06	35.3	124	50	174	45	30	27	M6x1	10	34	107	22	3/8"NPT	M45x2	25	1.5	XKSK-5
XK0051 00				70.6	174	100	274	45	30	27	M6x1	10	34	107	22	3/8"NPT	M45x2	25	2	
XK0051 50				106	245	150	395	45	30	27	M6x1	10	34	107	22	3/8"NPT	M45x2	25	3	
XK0100 50	10	100	14.5	73	124	50	174	60	43	38	M6x1	10	46	122	22	3/8"NPT	M60x2	25	2	XKSK-10
XK0101 00				145	174	100	274	60	43	38	M6x1	10	46	122	22	3/8"NPT	M60x2	25	3	
XK0101 50				218	245	150	395	60	43	38	M6x1	10	46	122	22	3/8"NPT	M60x2	25	4	
XK0102 00				291	310	200	510	60	43	38	M6x1	10	46	122	22	3/8"NPT	M60x2	25	5	
XK0102 50				363	375	250	625	60	43	38	M6x1	10	46	122	22	3/8"NPT	M60x2	25	6	
XK0150 50	15	150	21.2	106	160	50	210	70	52	38	M8x1.25	12	54	132	24	3/8"NPT	M70x2	35	5	XKSK-15
XK0151 00				212	210	100	310	70	52	38	M8x1.25	12	54	132	24	3/8"NPT	M70x2	35	6	
XK0151 50				318	260	150	410	70	52	38	M8x1.25	12	54	132	24	3/8"NPT	M70x2	35	7	
XK0152 00				425	325	200	525	70	52	38	M8x1.25	12	54	132	24	3/8"NPT	M70x2	35	8	
XK0152 50				531	390	250	640	70	52	38	M8x1.25	12	54	132	24	3/8"NPT	M70x2	35	9	
XK0200 50	20	200	28.2	141	160	50	210	80	60	43	M8x1.25	12	60	142	24	3/8"NPT	M80x2	35	6	XKSK-20
XK0201 00				282	210	100	310	80	60	43	M8x1.25	12	60	142	24	3/8"NPT	M80x2	35	7	
XK0201 50				423	260	150	410	80	60	43	M8x1.25	12	60	142	24	3/8"NPT	M80x2	35	9	
XK0202 00				564	325	200	525	80	60	43	M8x1.25	12	60	142	24	3/8"NPT	M80x2	35	12	
XK0202 50				705	390	250	640	80	60	43	M8x1.25	12	60	142	24	3/8"NPT	M80x2	35	13	
XK0250 50	25	250	36.3	182	165	50	215	90	68	53	M8x1.25	12	70	152	24	3/8"NPT	M90x2	35	8	XKSK-25
XK0251 00				363	215	100	315	90	68	53	M8x1.25	12	70	152	24	3/8"NPT	M90x2	35	10	
XK0251 50				545	265	150	415	90	68	53	M8x1.25	12	70	152	24	3/8"NPT	M90x2	35	12	
XK0252 00				726	330	200	530	90	68	53	M8x1.25	12	70	152	24	3/8"NPT	M90x2	35	15	
XK0252 50				908	400	250	650	90	68	53	M8x1.25	12	70	152	24	3/8"NPT	M90x2	35	16	
XK0300 50	30	300	41.8	209	165	50	215	100	73	60	M8x1.25	12	80	162	24	3/8"NPT	M100x2	35	10	XKSK-30
XK0301 00				418	215	100	315	100	73	60	M8x1.25	12	80	162	24	3/8"NPT	M100x2	35	12	
XK0301 50				627	265	150	415	100	73	60	M8x1.25	12	80	162	24	3/8"NPT	M100x2	35	14	
XK0302 00				836	330	200	530	100	73	60	M8x1.25	12	80	162	24	3/8"NPT	M100x2	35	20	
XK0302 50				1045	400	250	650	100	73	60	M8x1.25	12	80	162	24	3/8"NPT	M100x2	35	23	
XK0450 50	45	450	63.6	318	165	50	215	120	90	85	M10x1.5	14	85	182	24	3/8"NPT	M120x2	35	14	XKSK-45
XK0451 00				636	215	100	315	120	90	85	M10x1.5	14	85	182	24	3/8"NPT	M120x2	35	18	
XK0451 50				954	265	150	415	120	90	85	M10x1.5	14	85	182	24	3/8"NPT	M120x2	35	21	
XK0452 00				1272	330	200	530	120	90	85	M10x1.5	14	85	182	24	3/8"NPT	M120x2	35	27	
XK0452 50				1590	400	250	650	120	90	85	M10x1.5	14	85	182	24	3/8"NPT	M120x2	35	35	

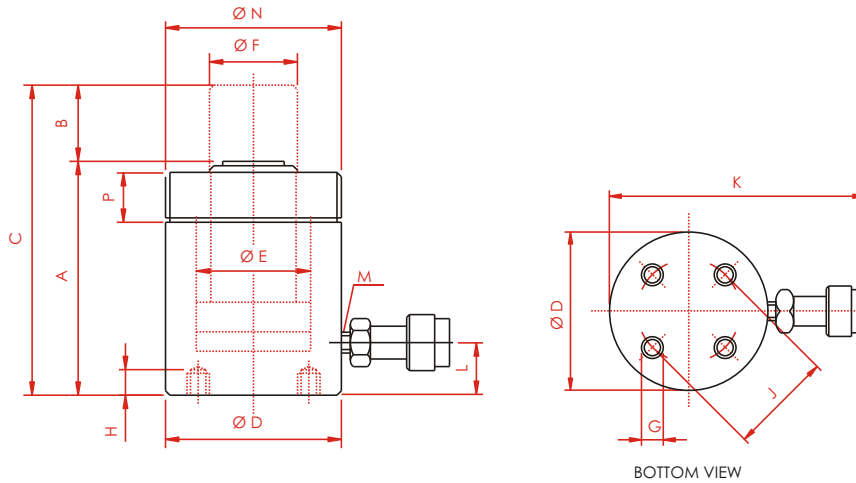
Suitable handle shall be provided with cylinders whose weight is more than 20 kg.

Note : The right to change any specification without notice is reserved because of constant R&D and product upgradation.



# Single Acting General Purpose Cylinders Spring Return

700 Kg/Cm<sup>2</sup>



Lifting a Train Wagon

MODEL	Capacity		Effective Area cm <sup>2</sup>	VOL cm <sup>3</sup>	Dimension in mm													Approx. Weight kg.	SEAL KIT MODEL	
	Tonnes	KN			A	B STROKE	C	D	E	F	G	H	J	K	L	M	N			P
XK050050	50	500	70.8	354	170	50	220	125	95	85	M10x1.5	12	90	187	37	3/8"NPT	M125x2	35	16	XKSK-50
XK050100				708	220	100	320	125	95	85	M10x1.5	12	90	187	37	3/8"NPT	M125x2	35	20	
XK050150				1062	270	150	420	125	95	85	M10x1.5	12	90	187	37	3/8"NPT	M125x2	35	25	
XK050200				1416	350	200	550	125	95	85	M10x1.5	12	90	187	37	3/8"NPT	M125x2	35	33	
XK050250				1770	425	250	675	125	95	85	M10x1.5	12	90	187	37	3/8"NPT	M125x2	35	40	
XK075050	75	750	103.9	520	170	50	220	155	115	90	M12x1.75	14	95	217	37	3/8"NPT	M155x3	35	24	XKSK-75
XK075100				1039	220	100	320	155	115	90	M12x1.75	14	95	217	37	3/8"NPT	M155x3	35	30	
XK075150				1599	270	150	420	155	115	90	M12x1.75	14	95	217	37	3/8"NPT	M155x3	35	36	
XK075200				2078	350	200	550	155	115	90	M12x1.75	14	95	217	37	3/8"NPT	M155x3	35	50	
XK075250				2598	425	250	675	155	115	90	M12x1.75	14	95	217	37	3/8"NPT	M155x3	35	60	
XK090050	90	900	126.6	633	170	50	220	165	127	98	M12x1.75	14	100	227	37	3/8"NPT	M165x3	35	26	XKSK-90
XK090100				1266	220	100	320	165	127	98	M12x1.75	14	100	227	37	3/8"NPT	M165x3	35	32	
XK090150				1899	270	150	420	165	127	98	M12x1.75	14	100	227	37	3/8"NPT	M165x3	35	39	
XK090200				2532	350	200	550	165	127	98	M12x1.75	14	100	227	37	3/8"NPT	M165x3	35	51	
XK090250				3165	425	250	675	165	127	98	M12x1.75	14	100	227	37	3/8"NPT	M165x3	35	62	
XK100050	100	1000	143.1	716	170	50	220	175	135	106	M16x2	18	110	237	37	3/8"NPT	M175x3	35	29	XKSK-100
XK100100				1431	220	100	320	175	135	106	M16x2	18	110	237	37	3/8"NPT	M175x3	35	36	
XK100150				2147	270	150	420	175	135	106	M16x2	18	110	237	37	3/8"NPT	M175x3	35	43	
XK100200				2862	350	200	550	175	135	106	M16x2	18	110	237	37	3/8"NPT	M175x3	35	57	
XK100250				3678	425	250	675	175	135	106	M16x2	18	110	237	37	3/8"NPT	M175x3	35	69	
XK150050	150	1500	213.8	1069	170	50	220	215	165	122	M16x2	18	130	277	37	3/8"NPT	M215x3	35	44	XKSK-150
XK150100				2138	220	100	320	215	165	122	M16x2	18	130	277	37	3/8"NPT	M215x3	35	55	
XK150150				3207	270	150	420	215	165	122	M16x2	18	130	277	37	3/8"NPT	M215x3	35	66	
XK150200				4276	350	200	550	215	165	122	M16x2	18	130	277	37	3/8"NPT	M215x3	35	85	
XK150250				5345	425	250	675	215	165	122	M16x2	18	130	277	37	3/8"NPT	M215x3	35	102	
XK200050	200	2000	283.5	1418	170	50	220	250	190	150	M16x2	18	150	312	37	3/8"NPT	M250x3	35	61	XKSK-200
XK200100				2835	220	100	320	250	190	150	M16x2	18	150	312	37	3/8"NPT	M250x3	35	76	
XK200150				4253	270	150	420	250	190	150	M16x2	18	150	312	37	3/8"NPT	M250x3	35	91	
XK200200				5670	350	200	550	250	190	150	M16x2	18	150	312	37	3/8"NPT	M250x3	35	118	
XK200250				7088	425	250	675	250	190	150	M16x2	18	150	312	37	3/8"NPT	M250x3	35	143	

Suitable handle shall be provided with cylinders whose weight is more than 20 kg.

Note : The right to change any specification without notice is reserved because of constant R&D and product upgradation.

