

Single Acting Cylinders With Lock Nut and Spring Return

700 Kg/Cm²

- Heavy duty general purpose versatile Jack / Ram / Cylinder with screwed ram and lock nut to provide position load holding for extended period of time.
- The springs are not designed to retrace the piston rod in horizontal position or with any external load.
- Hard chrome plated steel piston rod.
- Stop ring provided on all models.
- Female half coupler & dust cap provided on all models.
- Please contact nearest dealer for cylinders with capacities & strokes not mentioned in the data sheets. All variations are possible on request, subject to confirmation from the dealer



CAPACITY 5 TONNE TO 200 TONNE

STROKE 50 MM TO 250 MM

TYPE OF RAM SCREWED

MODEL	Capacity		Effective Area cm ²	VOL cm ³	Dimension in mm													Approx. Weight kg.	SEAL KIT MODEL
	Tonnes	KN			A	B STROKE	C	D	E	F	G	H	J	K	L	M	N		
XL0050 50	5	50	7.06	35.3	144	50	194	45	30	27x4	M6x1	10	34	107	22	3/8"NPT	178	2	XLSK-5
XL0051 00				70.6	194	100	294	45	30	27x4	M6x1	10	34	107	22	3/8"NPT	178	2.5	
XL0051 50	10	100	14.5	106	265	150	415	45	30	27x4	M6x1	10	34	107	22	3/8"NPT	178	3.5	XLSK-10
XL010050				73	144	50	194	60	43	38x4	M6x1	10	46	122	22	3/8"NPT	193	3	
XL010100				145	194	100	294	60	43	38x4	M6x1	10	46	122	22	3/8"NPT	193	4	
XL010150				218	265	150	415	60	43	38x4	M6x1	10	46	122	22	3/8"NPT	193	5	
XL010200				291	330	200	530	60	43	38x4	M6x1	10	46	122	22	3/8"NPT	193	5.5	
XL010250				363	395	250	645	60	43	38x4	M6x1	10	46	122	22	3/8"NPT	193	6.5	
XL015050	15	150	21.2	106	180	50	230	70	52	38x4	M8x1.25	12	54	132	24	3/8"NPT	203	5	XLSK-15
XL015100				212	230	100	330	70	52	38x4	M8x1.25	12	54	132	24	3/8"NPT	203	6	
XL015150				318	280	150	430	70	52	38x4	M8x1.25	12	54	132	24	3/8"NPT	203	7	
XL015200				425	345	200	545	70	52	38x4	M8x1.25	12	54	132	24	3/8"NPT	203	8.5	
XL015250	20	200	28.2	531	410	250	660	70	52	38x4	M8x1.25	12	54	132	24	3/8"NPT	203	9.5	XLSK-20
XL020050				141	180	50	230	80	60	43x4	M8x1.25	12	60	142	24	3/8"NPT	209	7	
XL020100				282	230	100	330	80	60	43x4	M8x1.25	12	60	142	24	3/8"NPT	209	11	
XL020150				423	280	150	430	80	60	43x4	M8x1.25	12	60	142	24	3/8"NPT	209	13	
XL020200				564	345	200	545	80	60	43x4	M8x1.25	12	60	142	24	3/8"NPT	209	14	
XL020250				705	410	250	660	80	60	43x4	M8x1.25	12	60	142	24	3/8"NPT	209	15	
XL025050	25	250	36.3	182	190	50	240	90	68	53x6	M8x1.25	12	70	152	24	3/8"NPT	219	9	XLSK-25
XL025100				363	240	100	340	90	68	53x6	M8x1.25	12	70	152	24	3/8"NPT	219	11	
XL025150				545	290	150	440	90	68	53x6	M8x1.25	12	70	152	24	3/8"NPT	219	13	
XL025200				726	355	200	555	90	68	53x6	M8x1.25	12	70	152	24	3/8"NPT	219	16	
XL025250				908	425	250	675	90	68	53x6	M8x1.25	12	70	152	24	3/8"NPT	219	17	
XL030050	30	300	41.8	209	190	50	240	100	73	60x6	M8x1.25	12	80	162	24	3/8"NPT	225	11	XLSK-30
XL030100				418	240	100	340	100	73	60x6	M8x1.25	12	80	162	24	3/8"NPT	225	14	
XL030150				627	290	150	440	100	73	60x6	M8x1.25	12	80	162	24	3/8"NPT	225	16	
XL030200				836	355	200	555	100	73	60x6	M8x1.25	12	80	162	24	3/8"NPT	225	21	
XL030250	45	450	63.6	1045	425	250	675	100	73	60x6	M8x1.25	12	80	162	24	3/8"NPT	225	24	XLSK-45
XL045050				318	200	50	250	120	90	85x6	M10x1.5	14	85	182	24	3/8"NPT	245	18	
XL045100				636	250	100	350	120	90	85x6	M10x1.5	14	85	182	24	3/8"NPT	245	22	
XL045150				954	300	150	450	120	90	85x6	M10x1.5	14	85	182	24	3/8"NPT	245	26	
XL045200				1272	365	200	565	120	90	85x6	M10x1.5	14	85	182	24	3/8"NPT	245	29	
XL045250				1590	435	250	685	120	90	85x6	M10x1.5	14	85	182	24	3/8"NPT	245	38	

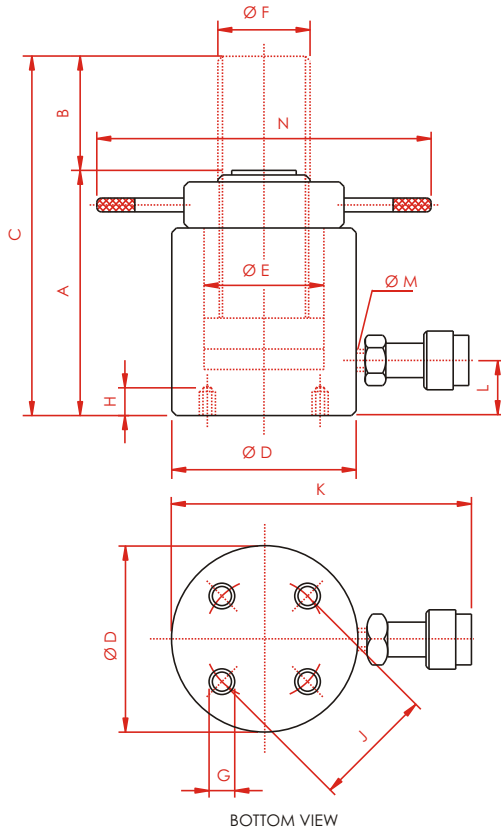
Suitable handle shall be provided with cylinders whose weight is more than 20 kg.

Note : The right to change any specification without notice is reserved because of constant R&D and product upgradation.



Single Acting Cylinders With Lock Nut And Spring Return

700 Kg/Cm²



Ship Repair Platform / Manipulators with screwed ram lock nut cylinders

MODEL	Capacity		Effective Area cm ²	VOL cm ³	Dimension in mm														Approx. Weight kg.	SEAL KIT MODEL
	Tonnes	KN			A	B STROKE	C	D	E	F	G	H	J	K	L	M	N			
XL050050	50	500	70.8	354	206	50	256	125	95	85x6	M10x1.5	12	90	187	37	3/8"NPT	246	19	XLSK-50	
XL050100				708	256	100	356	125	95	85x6	M10x1.5	12	90	187	37	3/8"NPT	246	24		
XL050150				1062	306	150	456	125	95	85x6	M10x1.5	12	90	187	37	3/8"NPT	246	27		
XL050200				1416	386	200	586	125	95	85x6	M10x1.5	12	90	187	37	3/8"NPT	246	35		
XL050250				1770	461	250	711	125	95	85x6	M10x1.5	12	90	187	37	3/8"NPT	246	42		
XL075050	75	750	103.9	520	210	50	260	155	115	90x6	M12x1.75	14	95	217	37	3/8"NPT	270	30	XLSK-75	
XL075100				1039	260	100	360	155	115	90x6	M12x1.75	14	95	217	37	3/8"NPT	270	36		
XL075150				1559	310	150	460	155	115	90x6	M12x1.75	14	95	217	37	3/8"NPT	270	43		
XL075200				2078	390	200	590	155	115	90x6	M12x1.75	14	95	217	37	3/8"NPT	270	52		
XL075250				2598	465	250	715	155	115	90x6	M12x1.75	14	95	217	37	3/8"NPT	270	63		
XL090050	90	900	126.6	633	215	50	265	165	127	98x6	M12x1.75	14	100	227	37	3/8"NPT	320	34	XLSK-90	
XL090100				1266	265	100	365	165	127	98x6	M12x1.75	14	100	227	37	3/8"NPT	320	40		
XL090150				1899	315	150	465	165	127	98x6	M12x1.75	14	100	227	37	3/8"NPT	320	46		
XL090200				2532	395	200	595	165	127	98x6	M12x1.75	14	100	227	37	3/8"NPT	320	58		
XL090250				3165	470	250	720	165	127	98x6	M12x1.75	14	100	227	37	3/8"NPT	320	69		
XL100050	100	1000	143.1	716	215	50	265	175	135	106x6	M16x2	18	110	237	37	3/8"NPT	330	38	XLSK-100	
XL100100				1431	265	100	365	175	135	106x6	M16x2	18	110	237	37	3/8"NPT	330	45		
XL100150				2147	315	150	465	175	135	106x6	M16x2	18	110	237	37	3/8"NPT	330	52		
XL100200				2862	395	200	595	175	135	106x6	M16x2	18	110	237	37	3/8"NPT	330	65		
XL100250				3678	470	250	720	175	135	106x6	M16x2	18	110	237	37	3/8"NPT	330	78		
XL150050	150	1500	213.8	1069	220	50	270	215	165	122x6	M16x2	18	130	277	37	3/8"NPT	370	59	XLSK-150	
XL150100				2138	270	100	370	215	165	122x6	M16x2	18	130	277	37	3/8"NPT	370	70		
XL150150				3207	320	150	470	215	165	122x6	M16x2	18	130	277	37	3/8"NPT	370	80		
XL150200				4276	400	200	600	215	165	122x6	M16x2	18	130	277	37	3/8"NPT	370	98		
XL150250				5345	475	250	725	215	165	122x6	M16x2	18	130	277	37	3/8"NPT	370	116		
XL200050	200	2000	283.5	1418	225	50	275	250	190	150x6	M16x2	18	150	312	37	3/8"NPT	405	80	XLSK-200	
XL200100				2835	275	100	375	250	190	150x6	M16x2	18	150	312	37	3/8"NPT	405	98		
XL200150				4253	325	150	475	250	190	150x6	M16x2	18	150	312	37	3/8"NPT	405	113		
XL200200				5670	405	200	605	250	190	150x6	M16x2	18	150	312	37	3/8"NPT	405	139		
XL200250				7088	480	250	730	250	190	150x6	M16x2	18	150	312	37	3/8"NPT	405	164		

Suitable handle shall be provided with cylinders whose weight is more than 20 kg.

Note : The right to change any specification without notice is reserved because of constant R&D and product upgradation.

