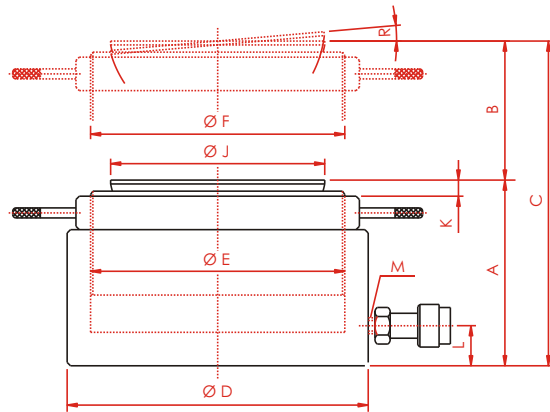


Single Acting Pancake Lock Nut Cylinders Load Return

700 Kg/Cm²



- Extra low closed height.
- Over stroke prevention through over flow port.
- All XGP-Series cylinders include integral tilt saddle -maximum tilt angle upto 5°.
- Female half Coupler & dust cap provided on all models.
- Please contact nearest dealer for cylinders with capacities & strokes not mentioned in the data sheets. All variations are possible on request, subject to confirmation from the dealer

CAPACITY 60 TONNE TO 500 TONNE

STROKE 45 MM TO 50 MM

TYPE OF RAM SCREWED



ALL XGP SERIES CYLINDERS REQUIRE A SOLID BASE FOR PREVENTION AGAINST ECCENTRIC LOADING. SURFACES SUCH AS DIRT, MUD OR SAND MAY CAUSE CYLINDER DAMAGE.

MODEL	Capacity		Effective Area cm ²	VOL cm ³	Dimension in mm											Approx. Weight kg.	SEAL KIT MODEL
	Tonnes	KN			A	B STROKE	C	D	E	F	J	K	L	M	R		
XGP060050	60	600	86.6	433	125	50	175	140	105	105x6	96	6	20	3/8"NPT	5°	15	XGPSK-60
XGP100050	100	1000	143.1	716	137	50	187	175	135	135x6	126	8	21	3/8"NPT	5°	26	XGPSK-100
XGP150045	150	1500	213.8	962	148	45	193	220	165	165x6	150	9	27	3/8"NPT	5°	44	XGPSK-150
XGP200045	200	2000	283.5	1276	155	45	200	245	190	190x6	180	10	30	3/8"NPT	5°	57	XGPSK-200
XGP250045	250	2500	363.2	1634	159	45	204	275	215	215x6	200	10	32	3/8"NPT	5°	75	XGPSK-250
XGP400045	400	4000	572.5	2576	178	45	223	350	270	270x8	250	10	39	3/8"NPT	4°	135	XGPSK-400
XGP500045	500	5000	706.8	3180	192	45	237	400	300	300x8	285	10	48	3/8"NPT	3°	190	XGPSK-500



Incremental Launching / Frame Forming Work for Bridge Construction

Suitable handle shall be provided with cylinders whose weight is more than 20 kg.

Note : The right to change any specification without notice is reserved because of constant R&D and product upgradation.

