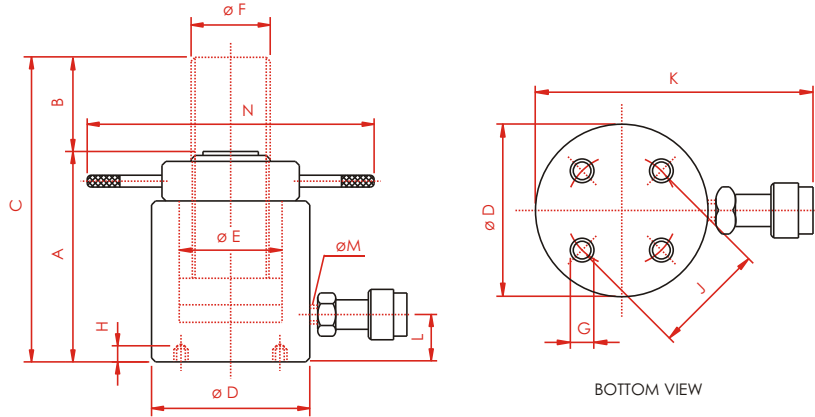


# Single Acting Cylinders With Lock Nut, Load Return

700 Kg/Cm<sup>2</sup>



- Heavy duty Jack/Ram/Cylinder for higher loads where retracting need not be spring assisted.
- Base mounting holes enable easy fixturing upto 200 tonne jacks.
- Safety lock nut for mechanical load holding
- Hard chrome plated steel piston rod.
- Stop ring provided on all models. For models above 200 tonne capacity, additional over flow port provided.
- Female half coupler & dust cap provided on all models.
- Swivel saddle with 3°-5° swivel angle available on request for 50 tonne & above hydraulic cylinders.
- Please contact nearest dealer for cylinders with capacities & strokes not mentioned in the data sheets. All variations are possible on request, subject to confirmation from the dealer.



**CAPACITY 150 TONNE TO 1000 TONNE**

**STROKE 50 MM TO 300 MM**

**TYPE OF RAM SCREWED**

MODEL	Capacity		Effective Area cm <sup>2</sup>	VOL cm <sup>3</sup>	Dimension in mm													Approx. Weight kg.	SEAL KIT MODEL
	Tonnes	KN			A	B STROKE	C	D	E	F	G	H	J	K	L	M	N		
XG150050	150	1500	213.8	1069	220	50	270	215	165	122x6	M16x2	18	130	277	37	3/8"NPT	370	60	XGSK-150
XG150100				2138	270	100	370	215	165	122x6	M16x2	18	130	277	37	3/8"NPT	370	72	
XG150150				3207	320	150	470	215	165	122x6	M16x2	18	130	277	37	3/8"NPT	370	82	
XG150250				5345	450	250	700	215	165	122x6	M16x2	18	130	277	37	3/8"NPT	370	110	
XG150300				6414	500	300	800	215	165	122x6	M16x2	18	130	277	37	3/8"NPT	370	120	
XG200050	200	2000	283.5	1418	225	50	275	250	190	150x6	M16x2	18	150	312	37	3/8"NPT	405	83	XGSK-200
XG200100				2835	275	100	375	250	190	150x6	M16x2	18	150	312	37	3/8"NPT	405	102	
XG200150				4253	325	150	475	250	190	150x6	M16x2	18	150	312	37	3/8"NPT	405	116	
XG200250				7088	455	250	705	250	190	150x6	M16x2	18	150	312	37	3/8"NPT	405	160	
XG200300				8505	510	300	810	250	190	150x6	M16x2	18	150	312	37	3/8"NPT	405	175	
XG250150	250	2500	363.2	5448	425	150	575	330	215	205x6	---	---	--	392	80	3/8"NPT	493	281	XGSK-250
XG250250				9080	540	250	790	330	215	205x6	---	---	--	392	80	3/8"NPT	493	356	
XG250300				10896	605	300	905	330	215	205x6	---	---	--	392	80	3/8"NPT	493	398	
XG300150	300	3000	433.7	6506	440	150	590	360	235	225x6	---	---	--	422	90	3/8"NPT	523	348	XGSK-300
XG300250				10843	555	250	805	360	235	225x6	---	---	--	422	90	3/8"NPT	523	436	
XG300300				13012	620	300	920	360	235	225x6	---	---	--	422	90	3/8"NPT	523	487	
XG400150	400	4000	572.5	8588	470	150	620	410	270	260x8	---	---	--	472	105	3/8"NPT	661	482	XGSK-400
XG400250				14313	580	250	830	410	270	260x8	---	---	--	472	105	3/8"NPT	661	600	
XG400300				17175	640	300	940	410	270	260x8	---	---	--	472	105	3/8"NPT	661	653	
XG500150	500	5000	706.8	10602	485	150	635	450	300	290x8	---	---	--	512	110	3/8"NPT	711	600	XGSK-500
XG500250				17670	595	250	845	450	300	290x8	---	---	--	512	110	3/8"NPT	711	734	
XG500300				21204	660	300	960	450	300	290x8	---	---	--	512	110	3/8"NPT	711	813	
XG600150	600	6000	908.28	13625	520	150	670	505	340	320x8	---	---	--	567	115	3/8"NPT	756	812	XGSK-600
XG600250				22707	625	250	875	505	340	320x8	---	---	--	567	115	3/8"NPT	756	973	
XG600300				27249	680	300	980	505	340	320x8	---	---	--	567	115	3/8"NPT	756	1057	
XG750150	750	7500	1075.2	16128	585	150	735	565	370	360x12	---	---	--	627	125	3/8"NPT	816	1145	XGSK-750
XG750250				26880	695	250	945	565	370	360x12	---	---	--	627	125	3/8"NPT	816	1357	
XG750300				32256	750	300	1050	565	370	360x12	---	---	--	627	125	3/8"NPT	816	1463	
XG999150	1000	10000	1386.4	20796	635	150	785	620	420	410x12	---	---	--	682	135	3/8"NPT	891	1495	XGSK-1000
XG999250				34650	740	250	990	620	420	410x12	---	---	--	682	135	3/8"NPT	891	1740	
XG999300				41592	800	300	1100	620	420	410x12	---	---	--	682	135	3/8"NPT	891	1880	

Suitable handle shall be provided with cylinders whose weight is more than 20 kg.

Note : The right to change any specification without notice is reserved because of constant R&D and product upgradation.

