

# Single Acting Heavy Lifting Solution, With Reduced Collapsed Height, Load Return Cylinders

700 Kg/Cm<sup>2</sup>

- Lowest closed height for use in confined spaces.
- Over flow port functions as a stroke limiter .
- Female half coupler & dust cap provided on all models.
- Swivel saddle with 3°-5° swivel angel available on request.
- Please contact nearest dealer for cylinders with capacities & strokes not mentioned in the data sheets. All variations are possible on request, subject to confirmation from the dealer



**CAPACITY 50 TONNE TO 1000 TONNE**

**STROKE 50 MM TO 300 MM**

**TYPE OF RAM PLAIN**

MODEL	Capacity		Effective Area cm <sup>2</sup>	VOL cm <sup>3</sup>	Dimension in mm									Approx Weight kg.	SEAL KIT MODEL
	Tonnes	KN			A	B STROKE	C	D	E	F	K	L	M		
XJS050050	50	500	70.8	355	130	50	180	125	95	95	187	30	3/8"NPT	14	XJSSK-50
XJS050100				709	180	100	280	125	95	95	187	30	3/8"NPT	18	
XJS050150				1064	230	150	380	125	95	95	187	30	3/8"NPT	23	
XJS050200				1418	280	200	480	125	95	95	187	30	3/8"NPT	28	
XJS050250				1773	330	250	580	125	95	95	187	30	3/8"NPT	33	
XJS050300				2127	380	300	680	125	95	95	187	30	3/8"NPT	38	
XJS100050	100	1000	143.1	716	143	50	193	175	135	135	237	30	3/8"NPT	26	XJSSK-50
XJS100100				1431	193	100	293	175	135	135	237	30	3/8"NPT	36	
XJS100150				2147	243	150	393	175	135	135	237	30	3/8"NPT	45	
XJS100200				2863	293	200	493	175	135	135	237	30	3/8"NPT	55	
XJS100250				3578	343	250	593	175	135	135	237	30	3/8"NPT	64	
XJS100300				4294	393	300	693	175	135	135	237	30	3/8"NPT	74	
XJS150050	150	1500	213.8	1069	165	50	215	215	165	165	277	39	3/8"NPT	47	XJSSK-50
XJS150100				2138	215	100	315	215	165	165	277	39	3/8"NPT	61	
XJS150150				3207	265	150	415	215	165	165	277	39	3/8"NPT	75	
XJS150200				4276	315	200	515	215	165	165	277	39	3/8"NPT	89	
XJS150250				5345	365	250	615	215	165	165	277	39	3/8"NPT	104	
XJS150300				6414	415	300	715	215	165	165	277	39	3/8"NPT	118	

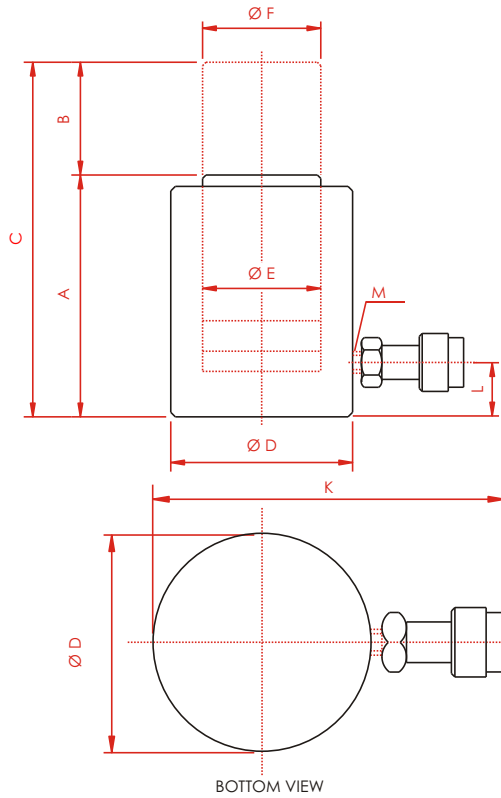
Suitable handle shall be provided with cylinders whose weight is more than 20 kg.

Note : The right to change any specification without notice is reserved because of constant R&D and product upgradation.



# Single Acting Heavy Lifting Solution With Reduced Collapsed Height, Load Return Cylinders

700 Kg/Cm<sup>2</sup>



Supporting a roof during Renovation.

MODEL	Capacity		Effective Area cm <sup>2</sup>	VOL cm <sup>3</sup>	Dimension in mm									Approx Weight kg.	SEAL KIT MODEL
	Tonnes	KN			A	B STROKE	C	D	E	F	K	L	M		
XJS200050	200	2000	283.5	1418	193	50	243	250	190	190	312	50	3/8"NPT	74	XJSSK-200
XJS200150				4253	293	150	443	250	190	190	312	50	3/8"NPT	112	
XJS200300				8505	443	300	743	250	190	190	312	50	3/8"NPT	170	
XJS250050	250	2500	363.2	1816	193	50	243	330	215	215	392	50	3/8"NPT	129	XJSSK-250
XJS250150				5448	293	150	443	330	215	215	392	50	3/8"NPT	196	
XJS250300				10896	443	300	743	330	215	215	392	50	3/8"NPT	297	
XJS300050	300	3000	433.7	2169	235	50	285	360	235	235	422	59	3/8"NPT	187	XJSSK-300
XJS300150				6506	335	150	485	360	235	235	422	59	3/8"NPT	267	
XJS300300				13012	485	300	785	360	235	235	422	59	3/8"NPT	387	
XJS400050	400	4000	572.5	2863	265	50	315	410	270	270	472	70	3/8"NPT	275	XJSSK-400
XJS400150				8588	365	150	515	410	270	270	472	70	3/8"NPT	378	
XJS400300				17175	515	300	815	410	270	270	472	70	3/8"NPT	534	
XJS500050	500	5000	706.8	3534	295	50	345	450	300	300	512	80	3/8"NPT	368	XJSSK-500
XJS500150				10602	395	150	545	450	300	300	512	80	3/8"NPT	493	
XJS500300				21204	545	300	845	450	300	300	512	80	3/8"NPT	681	
XJS600050	600	6000	908	4540	310	50	360	505	340	340	567	85	3/8"NPT	487	XJSSK-600
XJS600150				13620	410	150	560	505	340	340	567	85	3/8"NPT	645	
XJS600300				27240	560	300	860	505	340	340	567	85	3/8"NPT	881	
XJS750050	750	7500	1075.2	5376	355	50	405	565	370	370	627	100	3/8"NPT	699	XJSSK-750
XJS750150				16128	455	150	605	565	370	370	627	100	3/8"NPT	896	
XJS750300				32256	605	300	905	565	370	370	627	100	3/8"NPT	1191	
XJS999050	1000	10000	1386.4	6932	385	50	435	620	420	420	682	110	3/8"NPT	913	XJSSK-1000
XJS999150				20796	485	150	635	620	420	420	682	110	3/8"NPT	1150	
XJS999300				41592	635	300	935	620	420	420	682	110	3/8"NPT	1505	

Suitable handle shall be provided with cylinders whose weight is more than 20 kg.

Note : The right to change any specification without notice is reserved because of constant R&D and product upgradation.

