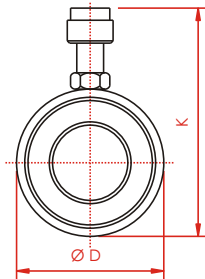
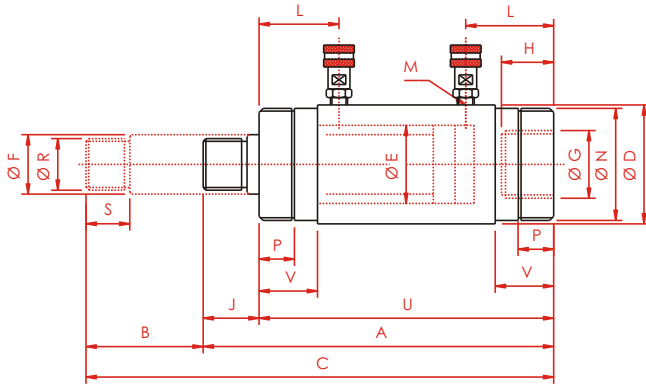
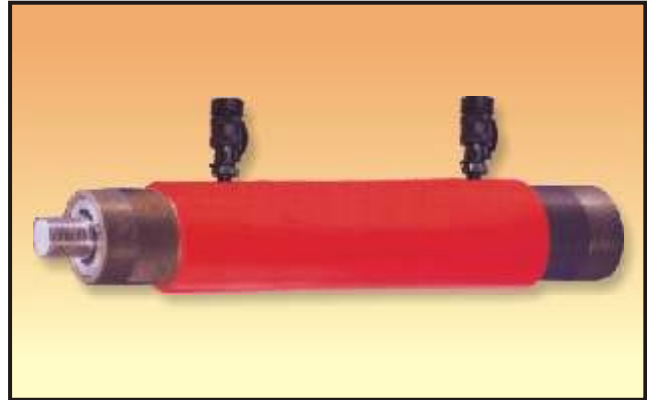


Double Acting Precision Production Cylinders

700 Kg/Cm²



BOTTOM VIEW



CAPACITY 5 TONNE TO 25 TONNE

STROKE 25 MM TO 250 MM

TYPE OF RAM PLAIN

- Versatile Jack/ Ram/ Cylinders with threading on both ends of the body as well as pistonrod. Variety of mountings are also provided for easy and quick installation of the cylinder These cylinders are double acting
- Hard chrome plated steel piston rod.
- Female half coupler & dust cap provided on all models.
- Please contact nearest dealer for cylinders with capacities & strokes not mentioned in the data sheets. All variations are possible on request, subject to confirmation from the dealer

MODEL	Capacity		Effective Area cm ²	VOL cm ³	Dimension in mm															Approx. Weight kg.	SEAL KIT MODEL			
	Tonnes	KN			A	B	C	D	E	F	G	H	J	K	L	M	N	P	R			S	U	V
YP005025	5	50	7	18	185	25	210	60	30	18	30x2	21	24	122	49	3/8"NPT	56x2	11	16x2	22	161	28	3	YPSK-5
YP005075				53	235	75	310	60	30	18	30x2	21	24	122	49	3/8"NPT	56x2	11	16x2	22	211	28	4	
YP005150				105	310	150	460	60	30	18	30x2	21	24	122	49	3/8"NPT	56x2	11	16x2	22	286	28	5	
YP010025	10	100	14.5	36	220	25	245	70	43	30	45x2	26	25	132	59	3/8"NPT	68x2	16	24x2	23	195	38	7	YPSK-10
YP010075				109	270	75	345	70	43	30	45x2	26	25	132	59	3/8"NPT	68x2	16	24x2	23	245	38	8	
YP010150				218	345	150	495	70	43	30	45x2	26	25	132	59	3/8"NPT	68x2	16	24x2	23	320	38	10	
YP010250				363	445	250	695	70	43	30	45x2	26	25	132	59	3/8"NPT	68x2	16	24x2	23	420	38	12	
YP015150	15	150	21.2	318	380	150	530	80	52	35	55x2	31	30	142	75	3/8"NPT	76x2	25	30x2	28	350	54	11	YPSK-15
YP015250				530	480	250	730	80	52	35	55x2	31	30	142	75	3/8"NPT	76x2	25	30x2	28	450	54	13	
YP025150	25	250	36.3	548	415	150	565	98	68	48	70x2	35	27	160	89	3/8"NPT	90x2	29	42x2	25	388	70	16	YPSK-25
YP025250				908	515	250	765	98	68	48	70x2	35	27	160	89	3/8"NPT	90x2	29	42x2	25	488	70	20	



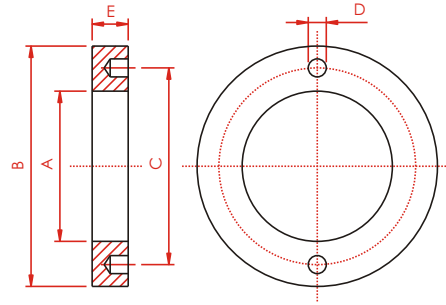
Cylinders used in Paper Mill for trimming

Note : The right to change any specification without notice is reserved because of constant R&D and product upgradation.

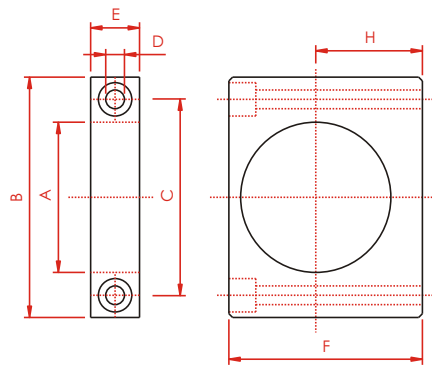


Attachments For YP Series Precision Production Cylinders

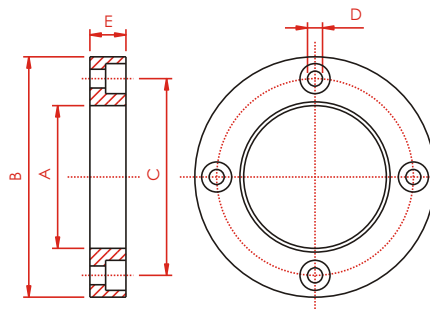
700 Kg/Cm²



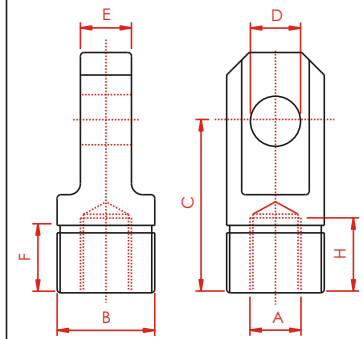
Retainer Nut
for locking foot or flange mountings.
Tightens onto Cylinder Collar threads.
(included with foot and flange mounting kit.)



Foot Mounting
mounts onto Cylinder Collar



Flange Mounting
mounts onto Cylinder Collar



Clevis Eye
threads onto Plunger or
into Cylinder Base

MODEL	Capacity Ton	Dimension in mm						
		A	B	C	D	E	F	H
FOOT MOUNTING WITH RETAINING NUT								
YP0051	5	56.5	100	78	10.5	20	80	40
YP0101	10	68.5	120	94	14.5	25	100	50
YP0151	15	76.5	135	105	18.5	33	115	57
YP0251	25	90.5	165	125	26.5	45	130	66
FLANGE MOUNTING WITH RETAINING NUT								
YP0052	5	56.5	145	107	11	20	-	-
YP0102	10	68.5	165	122	15	25	-	-
YP0152	15	76.5	180	135	17	33	-	-
YP0252	25	90.5	210	160	20	45	-	-
RETAINER NUT								
YP0053	5	M56X2	85	107	6	8	-	-
YP0103	10	M68X2	95	122	6	13	-	-
YP0153	15	M76X2	105	135	6	21	-	-
YP0253	25	M90X2	125	160	6	25	-	-
CLEVIS EYE								
YP0054	5	M16X2	M30X2	53	16	16	20	21
YP0104	10	M24X2	M45X2	65	20	26	25	22
YP0154	15	M30X2	M55X2	77.5	25	32	30	27
YP0254	25	M42X2	M70X2	80	32	38	30	27

Note : The right to change any specification without notice is reserved because of constant R&D and product upgradation.

